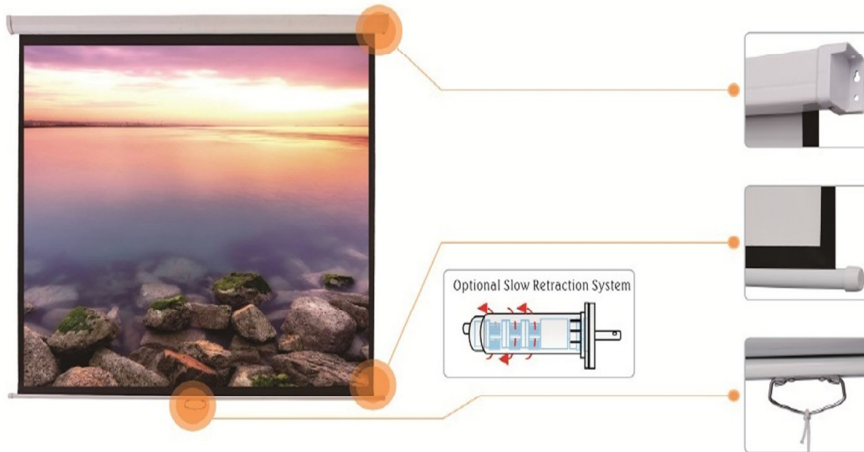
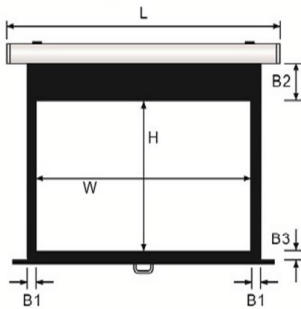


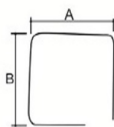
MANUAL SCREEN CRS SLOW RETRACTION SYSTEM



Screen Diagram:



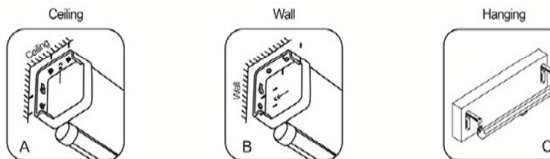
Casing Profile:



Features:

- ▶ Square steel casing, white or black for choice
- ▶ Surface is Pro matte white fabric. Four side black borders.
- ▶ Unique self-lock device makes easy operation
- ▶ Flexibly adjusted to any height
- ▶ Equipped with advanced slow retraction system, recycling uniform, stable, not affected by temperature, humidity and other environmental impact
- ▶ Wall mounted or ceiling mounted according to your needs
- ▶ Pull cord for each one
- ▶ Widely used in hotels, schools, business centers, meeting rooms, home theatres etc.

Installation Method:



Model	Ratio	Diagonal (inch)	Viewing Size (mm)			Left&Right Black Border (mm)	Top Black Border (mm)	Bottom Black Border (mm)	Casing Size (mm)				
			W	x	H	B1	B2	B3	L	x	A	x	B
MA6060M	1:1	85	1470	x	1470	25	25	25	1600	x	64	x	64
MA7070M		99	1730	x	1730	25	25	25	1860	x	64	x	64
MA8080M		113	1980	x	1980	25	25	25	2110	x	64	x	64
MA8484M		119	2080	x	2080	25	25	25	2210	x	64	x	64
MA84VM	4:3	84	1660	x	1250	25	25	25	1790	x	64	x	64
MA100VM		100	1980	x	1490	25	25	25	2110	x	64	x	64
MA120VM		120	2390	x	1790	25	25	25	2520	x	64	x	64
MA150VM		150	2950	x	2240	50	50	50	3130	x	76	x	76
MA80HM	16:9	80	1720	x	945	25	25	25	1850	x	64	x	64
MA92HM		92	1990	x	1100	25	25	25	2120	x	64	x	64
MA110HM		110	2390	x	1320	25	25	25	2520	x	64	x	64
MA138HM		138	2950	x	1620	25	25	25	3080	x	64	x	64
MA155HM		155	3330	x	1830	50	50	50	3510	x	76	x	76